

THE NETHERLANDS



67R-0094003

Communication concerning the approval of a type
of LPG equipment pursuant to Regulation No. 67.

Approval No.: E4-67R-0094003



1. LPG equipment considered:
remote filling point
2. Trade name or mark : Lovato (VI)
3. Manufacturer's name and address : Officine Lovato Spa
Strada Casale 175
36100 Vicenza
Italy
4. If applicable, name of the
manufacturer's representative :
5. Submitted for approval on : December 1993
6. Technical service responsible
for conducting tests : GASTEC N.V.
P.O.Box 137
7300 AC APELDOORN
The Netherlands
7. Date of report issued by that service : January 1994
8. Number of report issued by that service : 119237/1

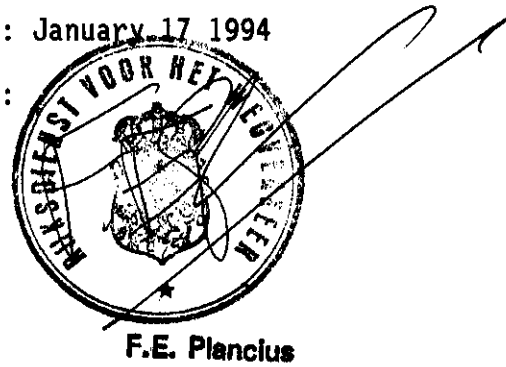
postbus 777
2700 AT zoetermeer

europaweg 205
tel. (079) 45 81 00
fax. (079) 45 80 21

bereikbaar met
n.s. zoetermeer stadslijn
halte stadhuis

Approval number: E4-67R-0094003

- 9. Approval : granted
- 10. Reason(s) for extension :
- 11. Place : Zoetermeer
- 12. Date : January 17 1994
- 13. Signature :



14. The documents filed with the application or extension of approval can be obtained upon request.

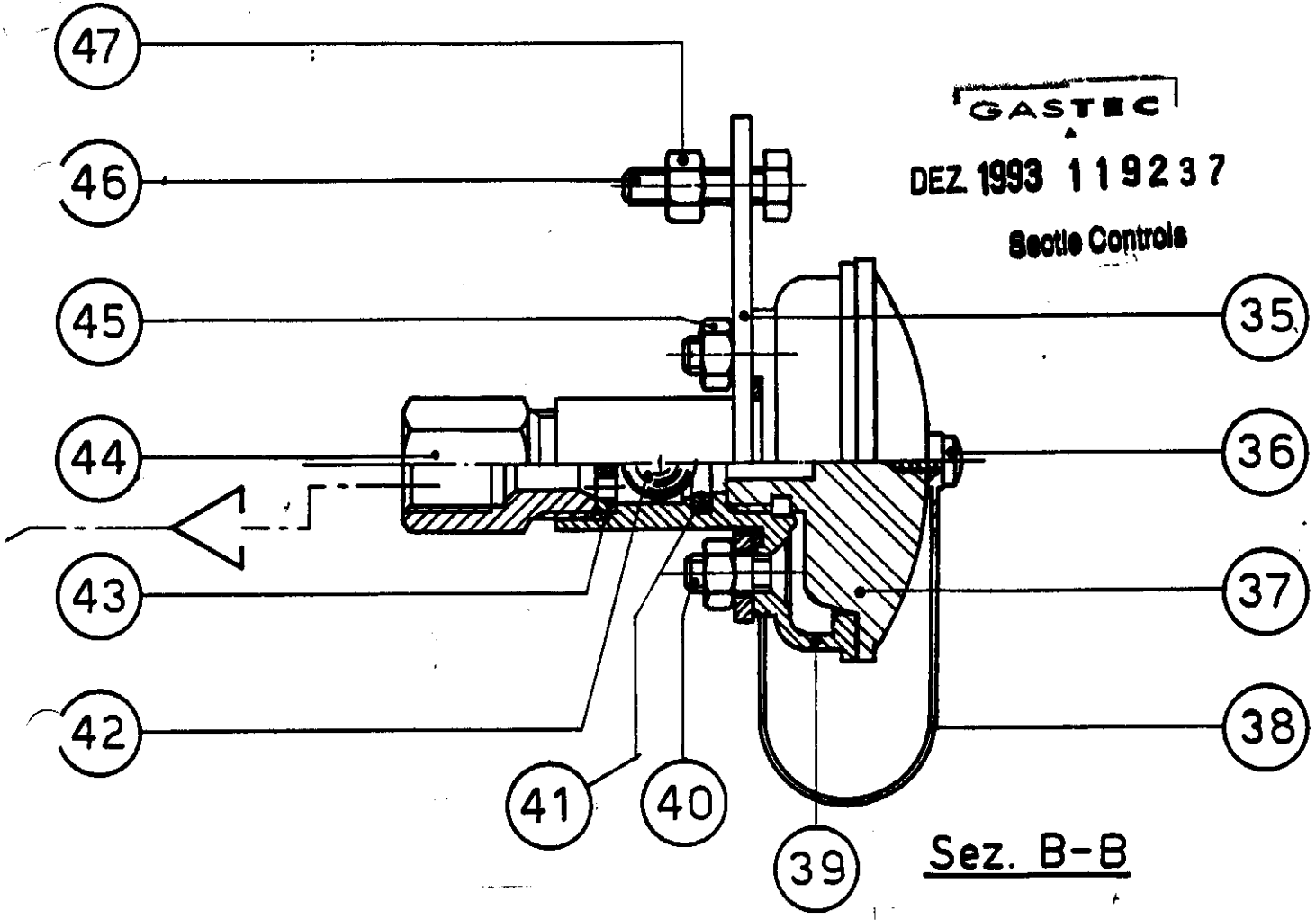
Remark: Manufacturers designation of the LPG equipment: : 2 drawings

Factuur nr.: 451-0314

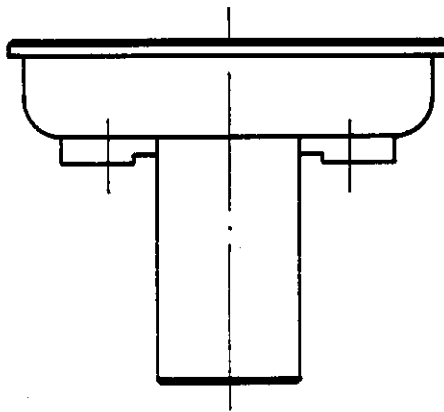
GASTEC

DEZ 1993 119237

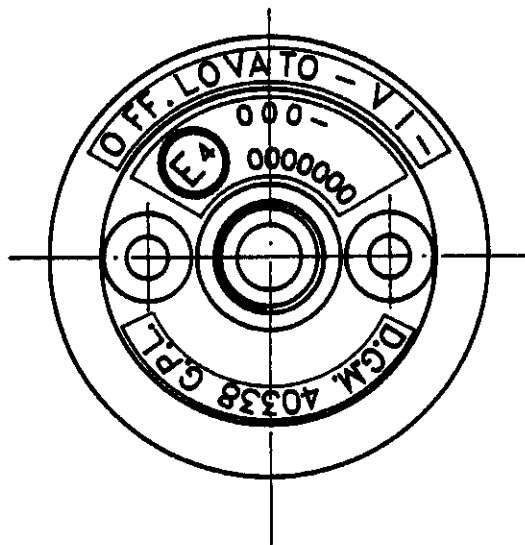
Settle Controls



Sez. B-B



E4 - 67 R - 00 94003



GASTEC

JAN. 1994 119237

Sectie Controls