



LE GOUVERNEMENT
DU GRAND-DUCHÉ DE LUXEMBOURG

Ministère des Transports

L-2938 Luxembourg

SOCIÉTÉ NATIONALE DE
CERTIFICATION ET D'HOMOLOGATION

s.à r.l.

Registre de Commerce: B 27180

L-5201 Sandweiler



Référence: E13*67R00*67R01*0043*01

Annexes: - Rapport technique
- Fiche de renseignements du constructeur

Sandweiler, le 31 janvier 2007

Communication concernant ¹⁾:

Communication concerning ¹⁾:



- **la délivrance d'une homologation**
approval granted
- **l'extension d'homologation**
approval extended
- **le refus d'homologation**
approval refused
- **le retrait d'homologation**
approval withdrawn
- **l'arrêt définitif de la production**
production definitely discontinued

d'un type d'équipement GPL en application du Règlement N° 67
of a type of LPG equipment pursuant to regulation N° 67


Numéro d'homologation:

Approval number:

E13*67R00*67R01*0043*01

Marque d'homologation:

Approval mark:

 67R-010043

1. Equipement GPL ¹⁾:
LPG equipment considered ¹⁾:

Réservoir:

Container:

not applicable

Accessoires fixés au réservoir:

Accessories fitted to the container:

- ~~80 % stop valve~~
- ~~level indicator~~
- ~~pressure relief valve (discharge valve)~~
- ~~pressure relief device~~
- ~~remotely controlled service valve with excess flow valve~~

Bloc multivannes, y compris les accessoires suivants:

Multivalve, including the following accessories:

- gas-tight housing
- ~~power supply bushing (pump/actuators)~~
- ~~fuel pump~~
- ~~vaporizer/pressure regulator~~
- ~~shut-off valve~~
- ~~non-return valve~~
- ~~gas tube pressure relief valve~~
- ~~service coupling~~
- ~~flexible hose~~
- ~~remote filling unit~~
- ~~gas injection device or injector~~
- ~~fuel rail~~
- ~~gas dosage unit~~
- ~~gas mixing piece~~
- ~~electronic control unit~~
- ~~pressure/temperature sensor~~
- ~~LPG filter unit~~

2. Marque de fabrique ou de commerce:

Trade name or mark:

BRC Gas Equipment, MTM, IMPCO

Type:

Type:

87/C

Versions:

Versions:

87/C

87/C mod. 2005

3. Nom et adresse du fabricant:

Manufacturer's name and address:

M.T.M. s.r.l.
Via La Morra, 1
I-12062 Cherasco (CN)

4. Le cas échéant, nom et adresse du mandataire du fabricant:

If applicable, name and address of manufacturer's representative:

not applicable

5. Equipement présenté à l'homologation le:

Submitted for approval on:

29.07. – 28.09.2006

6. Autorité déléguée:

Assigned authority:

Société Nationale de Certification et d'Homologation
L-5201 Sandweiler

Service technique chargé des essais d'homologation:

Technical service responsible for conducting approval tests:

Luxcontrol SA
B.P. 349
L-4004 Esch-sur-Alzette

7. Date du procès-verbal délivré par ce service:

Date of report issued by that service:

26.01.2007

8. Numéro du procès-verbal:

Number of report issued by that service:

LCA 54 280 001 7

9. L'homologation est:

Approval:

extended

10. Raisons de l'extension (éventuellement):

Reason(s) for extension (if applicable):

- Alternative cover shape added;
- Silicon material added;
- List of trade marks changed.

11. **Lieu:**
Place: Sandweiler
12. **Date:**
Date: 31 janvier 2007
13. **Signature:**
Signature:

Pour le Ministre des Transports



Handwritten signature of Paul Schmit.

Paul SCHMIT
Commissaire du Gouvernement

Pour la SNCH



Handwritten signature of Claude Liesch.

Claude LIESCH
Conseiller de Direction

14. **Des copies soumis dans le dossier d'homologation ou d'extension de l'homologation peuvent être obtenues sur demande.**
The documents filed with the application or extension of approval can be obtained upon request.

see: Index to type-approval report

APPENDICE 1 (réservoirs uniquement)
APPENDIX 1 (containers only)

1. Caractéristiques du réservoir de base (config. 00)
Container characteristics from the parent container (configuration 00)

- a) Marque de fabrique ou de commerce:**
a) Trade name or mark: not applicable
- b) Forme:**
b) Shape: not applicable
- c) Matériau:**
c) Material: not applicable
- d) Ouvertures:**
d) Openings: not applicable
- e) Epaisseur de la paroi:**
e) Wall thickness: not applicable
- f) Diamètre (réservoir cylindrique):**
f) Diameter (cylindrical container): not applicable
- g) Hauteur (forme de réservoir spéciale):**
g) Height (special container shape): not applicable
- h) Surface externe:**
h) External surface: not applicable
- i) Configuration des accessoires fixés au réservoir (voir tableau 1):**
i) Configuration of accessories fitted to container (see table 1):

Tableau 1:
Table 1:

N° N°	Accessoires Item	Type Type	N° d'homologation Approval N°	N° d'extension Extension N°
a)	Limiteur de remplissage à 80%: 80% stop valve:	-	-	-
b)	Jauge: Level indicator:	-	-	-
c)	Soupape de surpression: Pressure relieve valve:	-	-	-
d)	Vanne d'isolement avec limiteur de débit: Remotely controlled service valve with excess valve:	-	-	-
e)	Pompe à GPL: Fuel pump:	-	-	-
f)	Bloc multivannes: Multi-valve:	-	-	-
g)	Enceinte étanche: Gas-tight housing:	-	-	-
h)	Raccord électrique d'alimentation: Power supply bushing:	-	-	-
i)	Soupape antiretour: Non return valve:	-	-	-
j)	Dispositif de surpression: Pressure relief device:	-	-	-

2. Liste des réservoirs de la même famille (les listes des réservoirs de la même famille indiquent le diamètre, la capacité, la surface externe et la (les) configuration(s) possible(s) des accessoires fixés au réservoir):

List of container family (The lists of the container family indicate the diameter, capacity, external surface and the possible configuration(s) of the accessories fitted to the container):

Tableau 2:

Table 2:

N° N°	Type Type	Diamètre/hauteur Diameter/height [mm]	Capacité Capacity [l]	Surface externe External surface [cm ²]	Configuration des accessoires Configuration of accessories [codes] ¹
-	-	-	-	-	-
-	-	-	-	-	-

3. Listes des configurations possibles des accessoires fixés au réservoir (indiquer la liste des accessoires possibles, qui diffèrent de la configuration essayée (code 00) et qui peuvent être fixés au type de réservoir en question. Pour tous les accessoires, préciser le type, le numéro d'homologation et le numéro d'extension, en indiquant pour chacun son propre code de configuration):

Lists of the possible configurations of accessories fitted to the container (Specify a list of the possible accessories, which differ from the tested configuration of accessories (code 00) and which may be fitted to the type of container. Specify for all accessories, type, approval number and extension number, indicating its own configuration code):

Tableau 3:

Table 3:

N° N°	Accessoires Accessories	Type Type	N° d'homologation Approval N°	N° d'extension Extension N°	Configuration des accessoires [code] Configuration of accessories [code]
a)	-	-	-	-	-

¹⁾ **Biffer les mentions inutiles.**
Strike out what does not apply.



Référence: E13*67R00*67R01*0043*01

Annexes: - Rapport technique
- Fiche de renseignements du constructeur

Sandweiler, le 31 janvier 2007

INDEX DU DOSSIER D'HOMOLOGATION INDEX TO TYPE-APPROVAL

Numéro d'homologation: Approval number:	E13*67R00*67R01*0043*01
Révision: Revision:	00
Marque de fabrique ou de commerce: Trade name or mark:	BRC Gas Equipment, <u>MTM</u> , <u>IMPCO</u>
Type: Type:	87/C
1. Procès-verbal d'essai: Test report:	N° LCA 54 280 001 7
- Technical report:	Page(s) 1 to 6;
- Index:	Annex A - Page(s) 1.
2. Dossier du constructeur: Report of the manufacturer:	N° ---
- Manufacturer's information document:	Page(s) 1, 2, 3, 4, 5, 6, 7, 8, 9, 10, <u>11</u> , 12, 13, 14, <u>15</u> , <u>16</u> .
3. Autres documents annexés: Other documents annexed:	not applicable
4. Date de délivrance de l'homologation initiale: Date of issue of initial type approval:	26.09.2000
5. Date de la dernière délivrance de pages révisées: Date of last issue of revised pages:	not applicable
6. Date de la dernière délivrance d'une homologation révisée: Date of last extension:	31.01.2007

TECHNICAL REPORT

No. : LCA 54 280 001 7

Inspection concerning the

Specific equipment of motor vehicles using liquefied petroleum gases in their propulsion system

performed according to

ECE – Regulation No. 67

Type: **87/C**
Manufacturer: **M.T.M s.r.l.**
Via la Morra, 1
I-12062 Cherasco (CN)

Extension 1 to ECE Type Approval no.: E13*67R00*67R01*0043*00

Index:

1. General	Page 2
2. Inspections and their results	Page 2
3. Evaluation of test results	Page 5
4. Statement of compliance	Page 6
5. Annex (beginning with an index)	

A reproduction of this report and its annexes, except in full, is prohibited without the written permission of Luxcontrol s.a.

...



1. General

1.1. Test Provisions

The inspection was carried out according to the requirements of ECE-Regulation No. 67 including Supplement 6 to the 01 series of amendments, which entered into force on January 18, 2006.

1.2. Information concerning the vehicle type and the requested approval

The statements below apply to the previous ECE type-approval as referred to on page 1.

1.2.1. [] Numbering according to the communication concerning the approval of ECE-R67

[1.] LPG equipment considered:

LPG gas-tight housing

- **type: 87/C**
- **version: 87/C**
87/C mod. 2005

[2.] Trade name or mark:

BRC Gas Equipment, MTM, IMPCO

[3.] Manufacturer's name and address:

M.T.M s.r.l.
Via la Morra, 1
I-12062 Cherasco (CN)

[4.] If applicable, name and address of manufacturer's representative:

Not applicable

[5.] Submitted for approval on: **29.07.2006 until 28.09.2006**

[10.] Reason(s) of extension:

added alternative cover of different shape for use of new multivalves
added silicon material on the gasket for proofing
modified list of trade marks

...



2. Inspections and their results

2.1. Version of the tested equipment

The following variants have been used for testing (if not stated in part 1.2.1. of this report):

all versions

2.2. Inspection items

	Location of test:	Date of receipt of test item:	Date of test:	Inspector
Main Report	Bollate (Italy)	30.8.2000	30.8.2000	--
Extension 1	Bollate (Italy)	29.07.2006	29.07.2006 28.09.2006	D. Durazzi

2.2.1. General

The marking requirements according to item 4.1. and 4.2. of Part I of the Regulation are fulfilled.

Every material of the equipment in contact with LPG is compatible with it.

The fitting of the LPG-component, approved by this regulation into a full installation of LPG-equipment, must comply with relevant electromagnetic compatibility requirements according to Regulation R10.02 or equivalent.

No device class is applicable for gas-tight housings.



2.2.2. Inspections: (according to Annex 3)

Tests	Test results	Line item
Overpressure test	no rupture or permanent distortion at a pressure of 50 kPa	Annex 15, par. 4
External leakage test	leakage from stem or body seals or other joints less than 100 cm ³ / hour under a pressure of 10 kPa at room temperature, - 20°C and + 120°C	Annex 15, par. 5
High temperature test	leakage from stem or body seals or other joints less than 100 cm ³ / hour under a pressure of 10 kPa at + 120°C after 8 hours of conditioning at + 120°C	Annex 15, par. 6
Low temperature test	leakage from stem or body seals or other joints less than 100 cm ³ / hour under a pressure of 10 kPa at - 20°C after 8 hours of conditioning at - 20°C	Annex 15, par. 7
Provisions regarding gas-tight housings	requirements fulfilled	Part I, 6.15.12.

...



2.3. Remarks

Inspection results are only applicable to items, which have been tested.

2.4. Test facilities

Calibration of measuring and test equipment used to carry out the inspections is in accordance with the EEC-Directive and/or ECE-Regulation stated in 1.1. of this report and with ISO 17025.

Inspectors stated under 2.2. of this report were in charge of performing and/or evaluating the tests.

3. Evaluation of test results

3.1. Variants and equipment covered

The tests carried out cover the following variations as far as these are relevant for the gas-tight housing:

- cover shape and gasket as stated in the information document

3.2. Remarks

3.2.1. Main report:

Not applicable

3.2.2. Extension 1:

New tests were performed to cover the stated change



4. **Statement of compliance**

The inspections items and measurements carried out have shown the compliance of the vehicle type described in this report and the attached Annex with the requirements of ECE-Regulation No. 67 including Supplement 6 to the 01 series of amendments, which entered into force on January 18, 2006.

Esch/Alzette, January 26, 2007

Luxcontrol s.a.
Service Homologation-automobile

David Durazzi
Ingénieur-Inspecteur

Mauro Moscardelli
Ingénieur-Inspecteur

Annex



Index to the information package, including a summary in chronological order, concerning extensions and/or amendments

EEC type-approval No.: E13*67R00*67R01*0043*00

Main Report

Technical Report No.: LCA 54 280 015 0 Page 1 to 6

Composition of the Annex:

A: Index Page 1
B: Information folder Page 1 to 14

Extension 1

Technical Report No.: LCA 54 280 001 7 Page 1 to 6

Composition of the Annex:

A: Index Page 1
B: Information folder
- to be modified: Page 11
- to be added: Page 15 to 16

Contents of the extension

To be added:

- alternative cover shape
- added silicon material

To be modified:

- list of trade marks

Index to the information folder:

- manufacturer's information document (pages 1 to 16)
-

M.T.M. s.r.l.

Via La Morra, 1
12062 - Cherasco (Cn) Italy
Tel. ++39 0172 48681
Fax ++39 0172 488237
<http://www.brc.it>
E-mail: info@brc.it

P. IVA 00525960043
CCIAA Cuneo n. 107283
Reg. Imp. Uff. Alba n. 1423
Capitale Sociale:
EURO 2.400.000 i.v.
(Lire 4.647.048.000)



5. MARCHI COMMERCIALI.

BRC Gas Equipment

MTM

IMPCO



M.T.M. s.r.l.
Società Unipersonale
Via La Morra 1
12062 – Cherasco (Cn)- Italy
Tel. +39 0172 48681
Fax +39 0172 593113
Fax +39 0172 488237
<http://www.brc.it>
e-mail: info@brc.it

P.IVA 00525960043
CCIAA Cuneo n. 107283
Reg. Imp.Uff. Alba n. 1423
Capitale Sociale:
EURO 2.400.000 i.v.
(Lire 4.647.048.000)



87/C Gas proof casing

1. List of modifications.

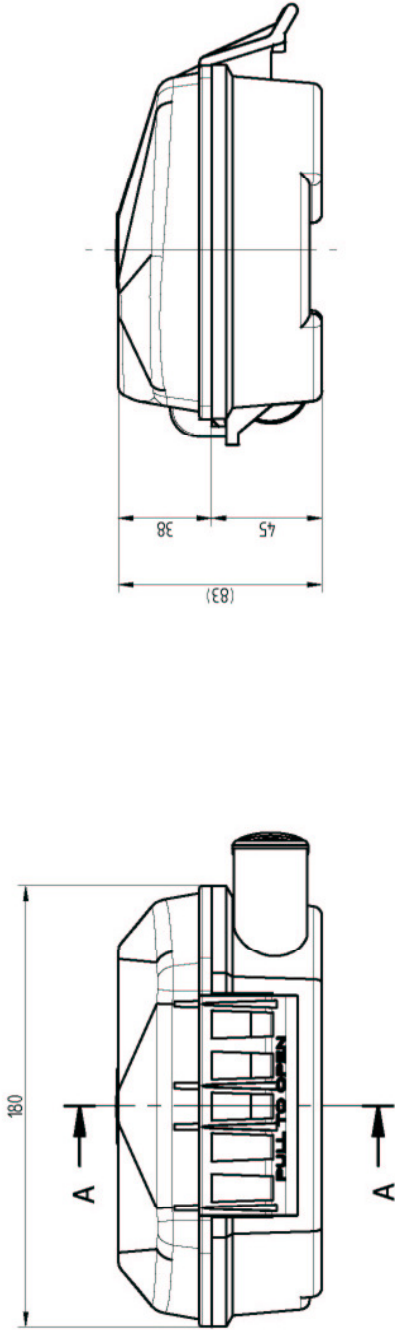
The 87/C Gas proof casing is modified as follows described :

- the cover has different shape in order to be able to fit different multi-function valves .
- a silicon material is added on the gasket for proofing.

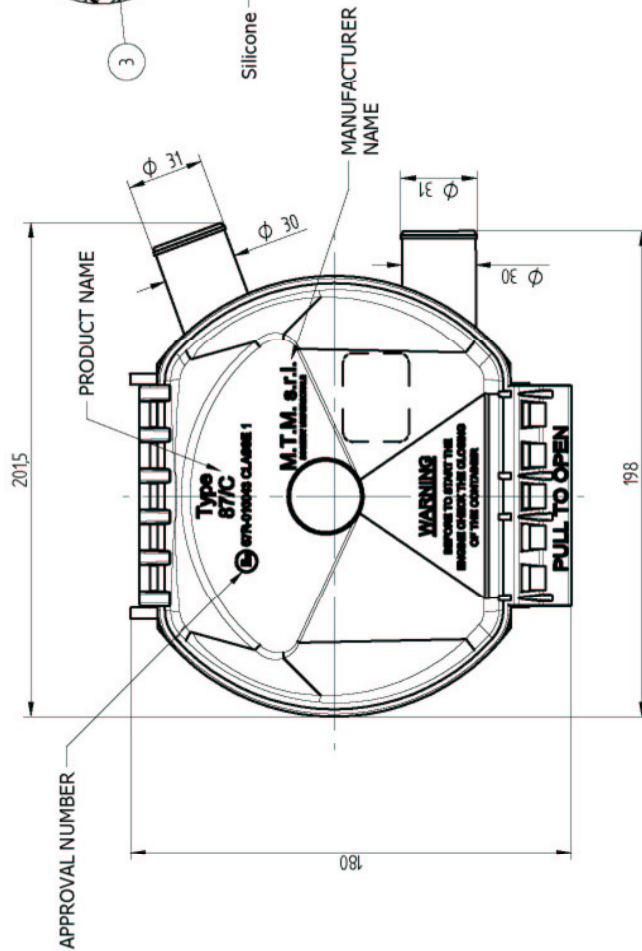
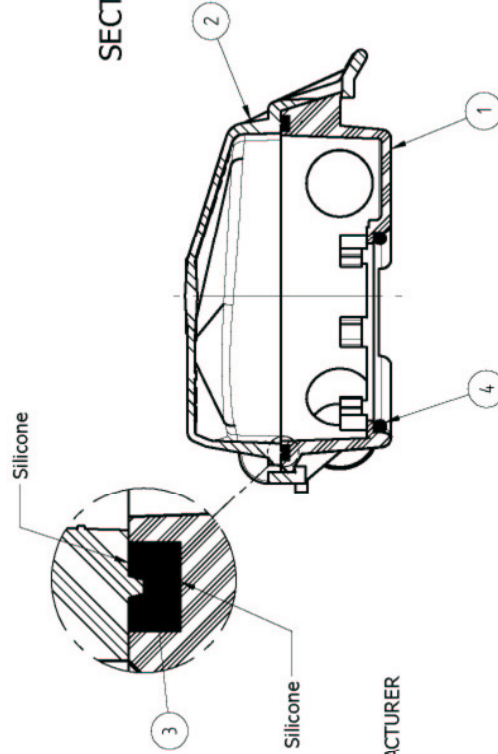
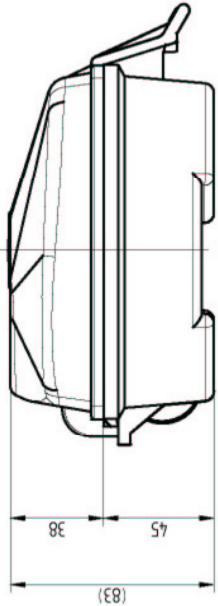
The above modifications shall be considered as alternatives.

2. Drawing

Enclosed drawing 1111-8439



SECTION A-A



Tolleranze generali ISO 2768 - m

Disegno n°	1111-8439	Codice:	17CS00010010	Descrizione:		GAS PROOF CASING 87C MOD. 2005			
M.T.M. s.r.l. SOCIETÀ UNIPERSONALE Via La Motta 1 - 12062 - Cherasco Cn, Italy Tel. +39 0172 48831 Fax +39 0172 48837 http://www.brc.it e-mail: r.ks@brc.it	File:	1111-8439	TOLLERANZE STANDARD ISO 2768	REV.	DATA	MODIFICHE			
	CLASSI			Designatore:	G. Chiarie	Data:	05/10/05	Firma:	[Signature]
D.M.A.		f	m	Verificatore:	A. Montà	Data:	05/10/05	Firma:	[Signature]
0.5-3		-0.05	-0.1	Approvatore:	A. Montà	Data:	05/10/05	Firma:	[Signature]
3.01-6		-0.05	-0.1	Scala:	1 : 2	Foglio:	A3	Durezza:	
6.01-30		-0.1	-0.2						
30.01-120		-0.15	-0.3						
120.01-400		-0.2	-0.5						
Sistemi:		[Symbol]							
[BRC Logo]									

È vietato consegnare a terzi o riprodurre questo documento.
Utilizzare il contenitore o renderlo comunque noto a terzi.
senza autorizzazione. Ogni infrazione comporta il risarcimento
dei danni subiti. Sono riservati tutti i diritti derivanti dalla
concessione di brevetti, patenti, marchi o modelli industriali di
utilità e di disegni o modelli (UNI ISO 15016).